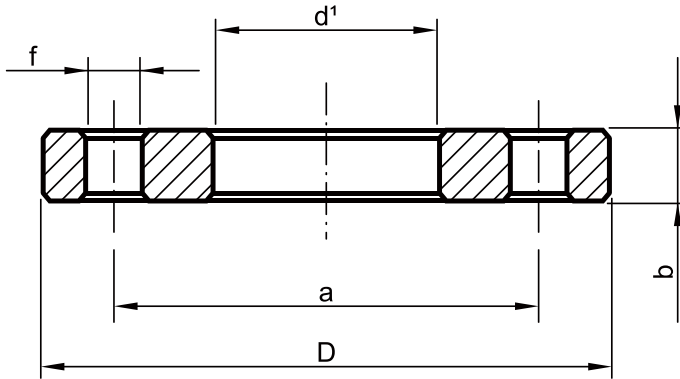


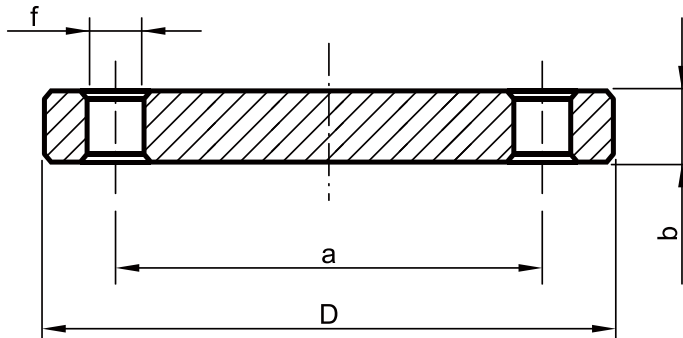
Kołnierze płaskie aluminiowe PN10 - Z41FLAI - luźne

Wykonane zgodnie z DIN2642



Wymiar DN	Średnicazew. mm	Średnica d1 mm	Wymiar a mm	Wymiar b mm	Wymiar Ø f mm	Ilość f szt	Ciężar kg	PN
10	90.00	19.00	60	12.00	14	4	0.18	AI PN10/17,2
15	95.00	24.00	65	12.00	14	4	0.19	AI PN10/21,3
20	105.00	30.00	75	12.00	14	4	0.25	AI PN10/26,9
25	115.00	36.00	85	12.00	14	4	0.27	AI PN10/33,7
32	140.00	46.00	100	16.00	18	4	0.56	AI PN10/42,4
40	150.00	54.00	110	16.00	18	4	0.62	AI PN10/48,3
50	165.00	58.00	125	16.00	18	4	0.75	AI PN10/54
50	165.00	65.00	125	16.00	18	4	0.75	AI PN10/60,3
65	185.00	75.00	145	16.00	18	4	0.90	AI PN10/70
65	185.00	81.00	145	16.00	18	4	0.90	AI PN10/76,1
80	200.00	90.00	160	18.50	18	8	1.10	AI PN10/84
80	200.00	94.00	160	18.50	18	8	1.10	AI PN10/88,9
100	220.00	111.00	180	18.50	18	8	1.25	AI PN10/104
100	220.00	119.00	180	18.50	18	8	1.25	AI PN10/114,3
125	250.00	133.00	210	18.50	18	8	1.60	AI PN10/129
125	250.00	145.00	210	18.50	18	8	1.60	AI PN10/139,7
150	285.00	161.00	240	19.50	22	8	2.00	AI PN10/154
150	285.00	173.00	240	19.50	22	8	2.00	AI PN10/168,3
200	340.00	212.00	295	21.00	22	8	2.80	AI PN10/204
200	340.00	225.00	295	21.00	22	8	2.80	AI PN10/219,1
250	395.00	264.00	350	23.00	22	12	3.80	AI PN10/254
250	395.00	279.00	350	23.00	22	12	3.80	AI PN10/273
300	445.00	313.00	400	23.00	22	12	-	AI PN10/306
300	445.00	329.00	400	23.00	22	12	4.50	AI PN10/323,9
350	505.00	362.00	460	24.00	22	16	6.00	AI PN10/355,6; AI PN10/356
400	565.00	-	515	26.00	26	16	7.50	AI PN10/406,4
450	615.00	-	565	26.00	26	20	8.00	AI PN10
500	670.00	517.00	620	30.00	26	20	10.00	AI PN10
600	780.00	-	725	30.00	30	20	14.00	AI PN10

Kołnierze płaskie aluminiowe PN10 - Z41FLAI - zaślepione

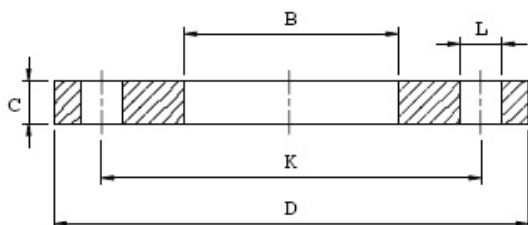


Wymiar DN	Średnica zew. mm	Wymiar b mm	Wymiar a mm	Wymiar \varnothing f mm	Ilość f szt	Ciężar kg	PN
10	90.00	12.00	60	14	4	-	AI PN10
15	95.00	12.00	65	14	4	-	AI PN10
20	105.00	12.00	75	14	4	-	AI PN10
25	115.00	12.00	85	14	4	-	AI PN10
32	140.00	16.00	100	18	4	-	AI PN10
40	150.00	16.00	110	18	4	-	AI PN10
50	165.00	16.00	125	18	4	-	AI PN10
65	185.00	16.00	145	18	4	-	AI PN10
80	200.00	18.50	160	18	8	-	AI PN10
100	220.00	18.50	180	18	8	-	AI PN10
125	250.00	18.50	210	18	8	-	AI PN10
150	285.00	19.50	240	22	8	-	AI PN10
200	340.00	21.00	295	22	8	-	AI PN10
250	395.00	23.00	350	22	12	-	AI PN10
300	445.00	23.00	400	22	12	-	AI PN10
350	505.00	24.00	460	22	16	-	AI PN10
400	565.00	26.00	515	26	16	-	AI PN10
450	615.00	26.00	565	26	20	-	AI PN10
500	670.00	30.00	620	26	20	-	AI PN10
600	780.00	30.00	725	30	20	-	AI PN10

Kołnierze płaskie - do spawania - Z41FL

Norma EN 1092-1/01

Stal - 304 / 316



Wymiar DN	Wymiar Ø ISO	Średnica zew.	Wymiar K	Średnica otworów L	Ilość otworów	Śruby	Wymiar B	Grubość	PN
	mm	mm	mm	mm			mm	mm	
10	17.20	75.00	50.00	11.00	4	M10	21.00	12.00	6
10	17.20	90.00	60.00	14.00	4	M12	18.00	14.00	10/16
10	17.20	90.00	60.00	14.00	4	M12	18.00	14.00	25
10	17.20	90.00	60.00	14.00	4	M12	18.00	14.00	40
15	21.30	80.00	55.00	11.00	4	M10	22.00	12.00	6
15	21.30	95.00	65.00	14.00	4	M12	22.00	14.00	10/16
15	21.30	95.00	65.00	14.00	4	M12	22.00	14.00	25
15	21.30	95.00	65.00	14.00	4	M12	22.00	14.00	40
20	26.90	90.00	65.00	11.00	4	M10	27.50	14.00	6
20	26.90	105.00	75.00	14.00	4	M12	27.50	16.00	10/16
20	26.90	105.00	75.00	14.00	4	M12	27.50	16.00	25
20	26.90	105.00	75.00	14.00	4	M12	27.50	16.00	40
25	33.70	100.00	75.00	11.00	4	M10	34.50	14.00	6
25	33.70	115.00	85.00	14.00	4	M12	34.50	16.00	10/16
25	33.70	115.00	85.00	14.00	4	M12	34.50	16.00	25
25	33.70	115.00	85.00	14.00	4	M12	34.50	16.00	40
32	42.40	120.00	90.00	14.00	4	M12	43.50	16.00	6
32	42.40	140.00	100.00	18.00	4	M16	43.50	18.00	10/16
32	42.40	140.00	100.00	18.00	4	M16	43.50	18.00	25
32	42.40	140.00	100.00	18.00	4	M16	43.50	18.00	40
40	48.30	130.00	100.00	14.00	4	M12	49.50	16.00	6
40	48.30	150.00	110.00	18.00	4	M16	49.50	18.00	10/16
40	48.30	150.00	110.00	18.00	4	M16	49.50	18.00	25
40	48.30	150.00	110.00	18.00	4	M16	49.50	18.00	40
50	60.30	140.00	110.00	14.00	4	M12	61.50	16.00	6
50	60.30	165.00	125.00	18.00	4	M16	61.50	19.00	10/16
50	60.30	165.00	125.00	18.00	4	M16	61.50	20.00	25
50	60.30	165.00	125.00	18.00	4	M16	61.50	20.00	40
65	76.10	160.00	130.00	14.00	4	M12	77.50	16.00	6
65	76.10	185.00	145.00	18.00	8	M16	77.50	20.00	10/16
65	76.10	185.00	145.00	18.00	8	M16	77.50	22.00	25
65	76.10	185.00	145.00	18.00	8	M16	77.50	22.00	40
80	88.90	190.00	150.00	18.00	4	M16	90.50	18.00	6
80	88.90	200.00	160.00	18.00	8	M16	90.50	20.00	10/16
80	88.90	200.00	160.00	18.00	8	M16	90.50	24.00	25
80	88.90	200.00	160.00	18.00	8	M16	90.50	24.00	40

Kołnierze płaskie - do spawania - Z41FL

Norma EN 1092-1/01

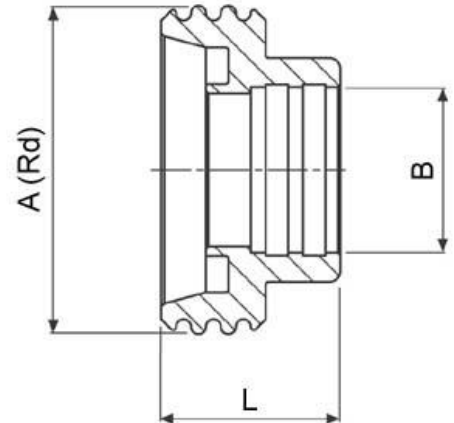
Wymiar DN	Wymiar Ø ISO mm	Średnica zew. mm	Wymiar K mm	Średnica otworów L mm	Ilość otworów	Śruby	Wymiar B mm	Grubość mm	PN
100	114.30	210.00	170.00	18.00	4	M16	116.00	18.00	6
100	114.30	220.00	180.00	18.00	8	M16	116.00	22.00	10/16
100	114.30	235.00	190.00	22.00	8	M20	116.00	26.00	25
100	114.30	235.00	190.00	22.00	8	M20	116.00	26.00	40
125	139.70	240.00	200.00	18.00	8	M16	141.50	20.00	6
125	139.70	250.00	210.00	18.00	8	M16	141.50	22.00	10/16
125	139.70	270.00	220.00	26.00	8	M24	141.50	28.00	25
125	139.70	270.00	220.00	26.00	8	M24	141.50	28.00	40
150	168.30	265.00	225.00	18.00	8	M16	170.50	20.00	6
150	168.30	285.00	240.00	22.00	8	M20	170.50	24.00	10/16
150	168.30	300.00	250.00	26.00	8	M24	170.50	30.00	25
150	168.30	300.00	250.00	26.00	8	M24	170.50	30.00	40
200	219.10	320.00	280.00	18.00	8	M16	221.50	22.00	6
200	219.10	340.00	295.00	22.00	8	M20	221.50	24.00	10
200	219.10	340.00	295.00	22.00	12	M20	221.50	26.00	16
200	219.10	360.00	310.00	26.00	12	M24	221.50	32.00	25
200	219.10	375.00	320.00	30.00	12	M27	221.50	36.00	40
250	273.00	375.00	335.00	18.00	12	M16	276.50	24.00	6
250	273.00	395.00	350.00	22.00	12	M20	276.50	26.00	10
250	273.00	405.00	355.00	26.00	12	M24	276.50	29.00	16
250	273.00	425.00	370.00	30.00	12	M27	276.50	35.00	25
250	273.00	450.00	385.00	33.00	12	M30	276.50	42.00	40
300	323.90	440.00	395.00	22.00	12	M20	327.50	24.00	6
300	323.90	445.00	400.00	22.00	12	M20	327.50	26.00	10
300	323.90	460.00	410.00	26.00	12	M24	327.50	32.00	16
300	323.90	485.00	430.00	30.00	16	M27	327.50	38.00	25
300	323.90	515.00	450.00	33.00	16	M30	327.50	48.00	40
350	355.60	490.00	445.00	22.00	12	M20	359.50	26.00	6
350	355.60	505.00	460.00	22.00	16	M20	359.50	28.00	10
350	355.60	520.00	470.00	26.00	16	M24	359.00	35.00	16
350	355.60	555.00	490.00	33.00	16	M30	359.50	42.00	25
350	355.60	580.00	510.00	36.00	16	M33	359.50	54.00	40
400	406.40	540.00	495.00	22.00	16	M20	411.00	28.00	6
400	406.40	565.00	515.00	26.00	16	M24	411.00	32.00	10
400	406.40	580.00	525.00	30.00	16	M27	411.00	38.00	16
400	406.40	620.00	550.00	36.00	16	M33	411.00	46.00	25
400	406.40	660.00	585.00	39.00	16	M36	411.00	60.00	40
450	457.00	595.00	550.00	22.00	16	M20	462.00	30.00	6
450	457.00	615.00	565.00	26.00	20	M24	462.00	36.00	10
450	457.00	640.00	585.00	30.00	20	M27	462.00	42.00	16
450	457.00	670.00	600.00	36.00	20	M33	462.00	50.00	25
450	457.00	685.00	610.00	39.00	20	M36	462.00	66.00	40
500	508.00	645.00	600.00	22.00	20	M20	513.50	30.00	6
500	508.00	670.00	620.00	26.00	20	M24	513.50	38.00	10
500	508.00	715.00	650.00	33.00	20	M30	513.50	46.00	16
500	508.00	730.00	660.00	36.00	20	M33	513.50	56.00	25
500	508.00	755.00	670.00	42.00	20	M39	513.50	72.00	40
600	610.00	775.00	705.00	26.00	20	M24	616.50	32.00	6
600	610.00	780.00	725.00	30.00	20	M27	616.50	42.00	10
600	610.00	840.00	770.00	36.00	20	M33	616.50	52.00	16
600	610.00	845.00	770.00	39.00	20	M36	616.50	68.00	25
600	610.00	890.00	795.00	48.00	20	M45	616.50	84.00	40

dla przemysłu spożywczego, farmaceutycznego

Pierścień gwintowany 765305



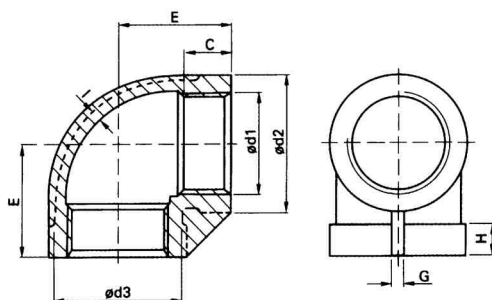
Gwint okrągły Rd zgodny z DIN11851, powierzchnia aseptyczna,
przyłącze do rozwalcowania [R]
Wymiar od DN10 do DN100
Materiał AISI 304, 316



wymiar DN	wymiar L mm	Ø A mm	Ø B mm	ciężar kg
10	21	28 x 1/8"	12,4	0,04
15	21	34 x 1/8"	18,2	0,05
20	24	44 x 1/6"	22,2	0,10
25	29	52 x 1/6"	28,2	0,12
32	32	58 x 1/6"	34,2	0,15
40	33	65 x 1/6"	40,2	0,20
50	35	78 x 1/6"	52,2	0,29
60	35	85 x 1/6"	61,0	-
65	40	95 x 1/6"	70,3	0,43
80	45	110 x 1/4"	85,3	0,57
90	45	120 x 1/4"	90,0	0,95
100	54	130 x 1/4"	106,3	1,02

Złącza gwintowane ITALINOX-POLSKA

KOLANKO 90° GWINTOWANE nakrętne Z01

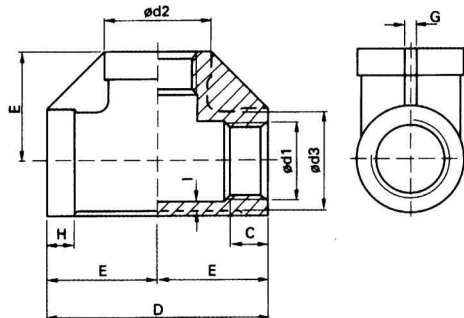


gwint wykonany wg normy:
DIN

materiał: AISI 304, AISI 316

Rozmiar	d1	d2	d3	C	E	G	H	I	Waga
cal	cal	mm	mm	mm	mm	mm	mm	mm	kg
1/8"	1/8"	16,0	13,5	6,2	17	3,5	6	2	0,029
1/4"	1/4"	19,0	15,5	9,4	19,5	4,0	6,0	2,0	0,035
3/8"	3/8"	22,5	19,5	9,7	24,0	4,0	6,5	2,5	0,059
1/2"	1/2"	28,0	26,0	10,0	29,0	3,0	7,5	2,0	0,104
3/4"	3/4"	34,0	31,5	10,5	32,0	3,0	8,5	2,0	0,143
1"	1"	43,0	40,0	14,0	37,0	4,0	10,0	2,5	0,268
1 1/4"	1 1/4"	51,0	48,0	16,0	43,5	5,0	11,0	2,5	0,380
1 1/2"	1 1/2"	59,0	56,5	18,0	48,0	5,0	12,0	2,5	0,512
2"	2"	72,0	68,0	18,0	55,5	5,5	13,0	2,5	0,754
2 1/2"	2 1/2"	90,0	86,0	22,0	67,0	9,0	14,0	3,0	1,692
3"	3"	106,0	102,0	24,0	77,0	10,0	15,0	3,5	2,325
4"	4"	132,0	127,0	25,0	96,0	8,5	15,0	3,5	3,433

TRÓJNIK GWINTOWANY nakrętny Z08



gwint wykonany wg normy:
DIN

materiał: AISI 304, AISI 316

Rozmiar	d1	d2	d3	C	D	E	G	H	I	Waga
cal	cal	mm	mm	mm	mm	mm	mm	mm	mm	kg
1/8"	1/8"	16,0	13,5	6,2	36,0	18,0	3,0	6,0	2,5	0,046
1/4"	1/4"	19,0	15,5	9,4	39,0	19,5	3,0	6,0	2,0	0,054
3/8"	3/8"	22,5	19,5	9,7	46,0	23,0	3,0	5,5	2,5	0,085
1/2"	1/2"	28,0	26,0	10,0	58,0	29,0	3,0	7,5	2,0	0,144
3/4"	3/4"	34,0	31,5	12,0	65,0	32,5	3,0	8,5	2,0	0,210
1"	1"	43,0	40,0	14,5	74,0	37,0	4,0	9,5	2,0	0,360
1 1/4"	1 1/4"	51,0	48,0	16,5	89,0	44,5	5,0	10,5	2,0	0,500
1 1/2"	1 1/2"	59,0	56,5	17,5	96,0	48,0	5,0	11,5	2,5	0,700
2"	2"	72,0	68,0	18,0	113,0	56,5	6,0	12,0	2,5	1,010
2 1/2"	2 1/2"	90,0	87,5	23,0	136,0	68,0	9,0	13,5	4,0	2,408
3"	3"	106,0	101,5	24,5	157,0	78,5	10,0	15,0	4,0	3,318
4"	4"	132,0	127,0	29,0	194,0	97,0	10,0	15,5	4,0	4,810