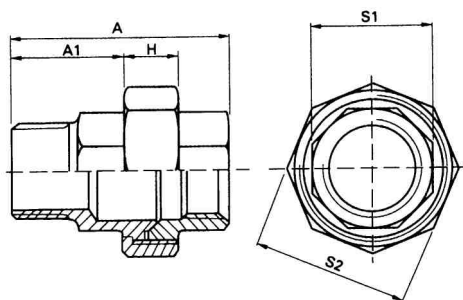


# Złącza gwintowane ITALINOX-POLSKA

## ŚRUBUNEK GWINTOWANY nakrętno-wkrętny Z27 / Z28



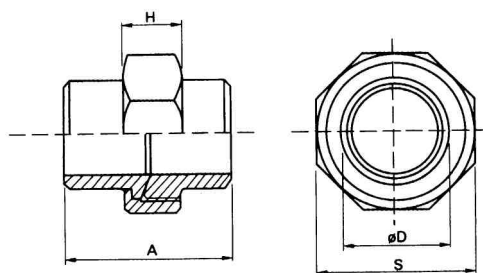
gwint wykonany wg normy:  
DIN

materiał: AISI 304, AISI 316

Z27 - uszczelnienie stożkowe  
Z28 - uszczelnienie PTFE

Rozmiar	A ± 1,5	A1 ± 0,5	H ± 0,5	S1 ± 1,0	S2 ± 1,0	Waga
cal	mm	mm	mm	mm	mm	kg
1/8"	52,0	27,0	15,0	18,0	29,0	0,138
1/4"	53,0	27,0	15,0	18,0	29,0	0,129
3/8"	57,0	31,0	15,0	23,0	36,0	0,207
1/2"	62,0	34,0	15,0	27,0	41,0	0,263
3/4"	66,0	34,0	16,0	32,0	49,0	0,400
1"	72,0	39,0	18,0	41,0	58,0	0,567
1 1/4"	78,0	42,0	21,0	50,0	68,0	0,798
1 1/2"	81,0	43,0	22,0	56,0	77,0	1,017
2"	88,0	47,0	25,0	69,0	92,0	1,509
2 1/2"	100,0	51,0	25,0	85,0	109,0	2,353
3"	119,0	62,0	29,0	99,0	125,0	3,486
4"	132,0	67,0	34,0	125,0	156,0	5,398

## ŚRUBUNEK Z PRZYŁĄCZEM DO WSPAWANIA Z33 / Z34



materiał: AISI 304, AISI 316

Z33 - uszczelnienie stożkowe  
Z34 - uszczelnienie PTFE

Rozmiar	A ± 1,2	D ± 0,5	S ± 0,5	H ± 0,5	Waga
cal	mm	mm	mm	mm	kg
1/4"	32,0	13,8	29,0	14,0	0,111
3/8"	38,0	17,3	36,0	14,0	0,177
1/2"	40,0	21,6	41,0	14,0	0,220
3/4"	47,0	27,1	49,0	14,0	0,332
1"	49,5	34,0	58,0	18,0	0,503
1 1/4"	54,0	42,8	67,7	19,0	0,704
1 1/2"	57,0	48,6	76,7	21,0	0,871
2"	60,0	60,6	91,5	24,0	1,386
2 1/2"	70,0	76,3	109,0	24,0	2,067
3"	81,0	89,1	125,0	28,0	2,979