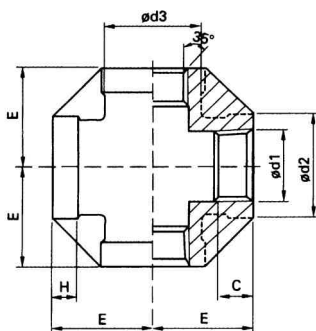


CZWÓRNIK GWINTOWANY nakrętny Z06

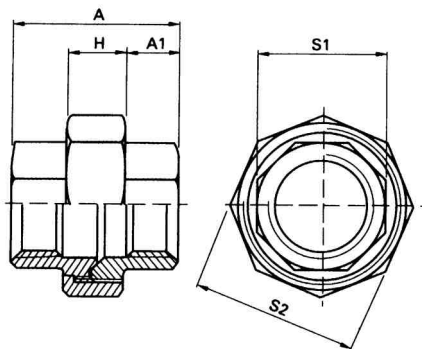


gwint wykonany wg normy:
DIN

materiał: AISI 304, AISI 316

Rozmiar	d1	d2	d3	C	E	H	Waga
cal	cal	mm	mm	mm	mm	mm	kg
1/8"	1/8"	16,0	14,0	6,2	17,5	6,0	0,057
1/4"	1/4"	20,0	18,0	9,4	19,0	7,0	0,083
3/8"	3/8"	25,0	23,0	9,7	23,0	7,0	0,167
1/2"	1/2"	30,0	28,0	10,0	29,0	7,0	0,220
3/4"	3/4"	36,0	34,0	12,0	32,5	9,0	0,325
1"	1"	45,0	42,0	14,0	37,5	10,0	0,540
1 1/4"	1 1/4"	53,0	50,0	18,0	44,0	11,0	0,778
1 1/2"	1 1/2"	60,0	56,0	18,0	48,0	12,0	0,992
2"	2"	73,0	69,0	18,0	59,0	13,0	1,550
2 1/2"	2 1/2"	90,0	86,0	22,0	68,0	14,0	2,930
3"	3"	106,0	102,0	25,0	78,0	15,0	3,600
4"	4"	132,0	128,0	26,0	97,0	15,0	5,880

ŚRUBUNEK GWINTOWANY nakrętny Z25 / Z26



gwint wykonany wg normy:
DIN

materiał: AISI 304, AISI 316

Z25 - uszczelnienie stożkowe
Z26 - uszczelnienie PTFE

Rozmiar	A ± 1,5	A1 ± 0,5	H ± 0,5	S1 ± 1,0	S2 ± 1,0	Waga
cal	mm	mm	mm	mm	mm	kg
1/8"	37	12	15	18	29	0,125
1/4"	37	12	15	18	29	0,111
3/8"	39	12	16	23	36	0,177
1/2"	41	13	15	27	41	0,220
3/4"	42	16	16	32	49	0,332
1"	51	17	18	41	58	0,503
1 1/4"	52	16	21	50	68	0,704
1 1/2"	56	18	22	56	77	0,871
2"	60	18	25	69	92	1,386
2 1/2"	75	26	25	85	109	2,067
3"	89	30	29	99	125	2,979
4"	99	32	34	125	156	4,817