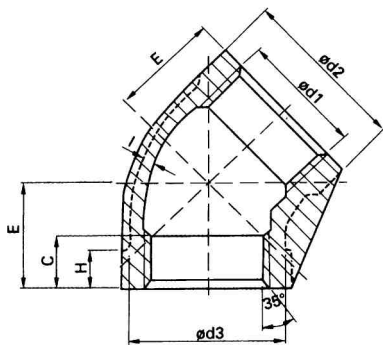


Złącza gwintowane

ITALINOX-POLSKA

KOLANKO 45° GWINTOWANE nakrętne Z04

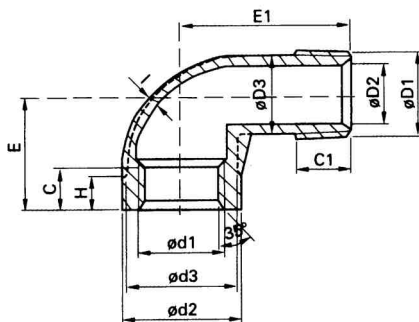


gwint wykonany wg normy:
DIN

materiał: AISI 304, AISI 316

Rozmiar	d1	d2	d3	C	E	H	I	Waga
cal	cal	mm	mm	mm	mm	mm	mm	kg
1/8"	1/8"	16,0	13,5	6,2	16,0	6,0	2,0	0,036
1/4"	1/4"	19,0	15,5	9,4	17,0	6,5	2,0	0,037
3/8"	3/8"	22,5	19,5	9,7	19,0	6,0	2,0	0,054
1/2"	1/2"	30,0	28,0	10,0	21,0	9,0	2,5	0,177
3/4"	3/4"	36,0	34,0	11,0	24,0	10,0	2,5	0,168
1"	1"	45,0	40,0	14,0	28,0	10,0	2,5	0,255
1 1/4"	1 1/4"	53,0	50,0	18,0	33,0	10,0	2,5	0,321
1 1/2"	1 1/2"	60,0	56,0	18,0	36,0	11,0	2,5	0,433
2"	2"	72,0	68,0	18,0	42,0	13,0	2,5	0,703
2 1/2"	2 1/2"	90,0	87,0	22,0	49,0	14,0	4,0	1,561
3"	3"	106,0	101,5	25,0	54,0	15,0	4,0	2,022
4"	4"	133,0	128,0	25,0	65,0	15,0	4,0	2,965

KOLANKO 90° GWINTOWANE nakrętno-wkrętne Z02



gwint wykonany wg normy:
DIN

materiał: AISI 304, AISI 316

Rozmiar	d1	d2	d3	C	E	H	D1	D2	D3	C1	E1	I	Waga
cal	cal	mm	mm	mm	mm	mm	cal	mm	mm	mm	mm	mm	kg
1/8"	1/8"	15,0	12,0	6,2	18,0	4,0	1/8"	5,0	8,5	8,0	26,0	2,0	0,023
1/4"	1/4"	18,0	15,0	9,4	21,0	5,0	1/4"	6,0	12,0	11,0	29,0	2,0	0,390
3/8"	3/8"	22,5	20,0	9,7	24,0	6,0	3/8"	9,0	14,0	12,0	36,0	2,0	0,061
1/2"	1/2"	28,0	26,0	10,0	27,0	8,0	1/2"	14,0	19,0	13,0	41,0	2,0	0,105
3/4"	3/4"	36,0	33,0	12,0	33,0	9,0	3/4"	20,0	25,0	13,0	47,0	2,0	0,158
1"	1"	45,0	42,0	14,0	37,0	9,0	1"	25,0	31,0	17,0	53,0	2,0	0,262
1 1/4"	1 1/4"	52,0	49,0	17,0	44,0	11,0	1 1/4"	33,0	38,0	19,0	63,0	2,5	0,401
1 1/2"	1 1/2"	60,0	56,0	17,0	47,0	11,0	1 1/2"	40,0	45,0	19,0	69,0	2,5	0,500
2"	2"	73,0	69,0	18,0	59,0	13,0	2"	50,0	57,0	20,0	80,0	2,5	0,817
2 1/2"	2 1/2"	90,0	86,0	23,0	66,0	14,0	2 1/2"	57,0	66,0	24,0	105,0	4,0	1,684
3"	3"	106,0	101,0	24,0	77,0	15,0	3"	74,0	81,0	29,0	113,0	4,0	2,060
4"	4"	132,0	128,0	25,0	98,0	18,0	4"	97,0	106,0	34,0	130,0	4,0	3,450